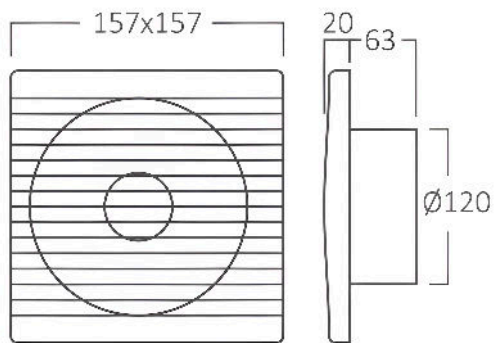


Braytron

TECHNICAL DATA SHEET

MODEL	BZ01-00020
DESCRIPTION	BRY-ELK-FAN-120MM-5"-SQR-EXHAUST FAN



BRAYTRON SRL

MUNICIPIUL BUCUREȘTI, SECTOR 6, BLD. IULIU MANIU, NR.616, CORP B, ET.1,BUCUREȘTI, Sector 6(RO)
info@braytron.com
www.braytron.com

General Characteristics

Model No	:	BZ01-00020
Main Family	:	Electrical
Sub Family	:	Fan
Type	:	Exhaust Fan
Body Color	:	White
Warranty	:	2 Years
Class	:	CLASS II
IP	:	IPX2
Size	:	5 inch
Noise	:	35 db
Air-Flow	:	160 m ³ /h
Motor Rotation	:	2200 rpm

Product Characteristics

Wattage	:	16
---------	---	----

Electrical Characteristics

Voltage	:	220-240V 50/60Hz
Material	:	ABS
Working Temperature	:	-20°C ~ +40°C

Dimensions & Weight

P. Length	:	157 mm
P. Width	:	157 mm
P. Height	:	83 mm
Cutout	:	120 mm
Weight	:	550 gr

Package Informations

N.W.	:	11 kgs
G.W.	:	13,2 kgs
PCS/CTN	:	20
Length	:	44,5 cm
Width	:	34,5 cm
Height	:	36 cm
EAN	:	5949097737817