

# Braytron

## TECHNICAL DATA SHEET

MODEL	BG36-00582
DESCRIPTION	BRY-SPIKE-12W-GRY-2IN1-IP65-SPIKE LIGHT



**Braytron** IP65 LED

Solar Panel 130° Adjustable Head

Wall Mountable Spike

**SOLAR SPIKE LIGHT**  
MODEL NO: BG36-00582

12w - 300lm

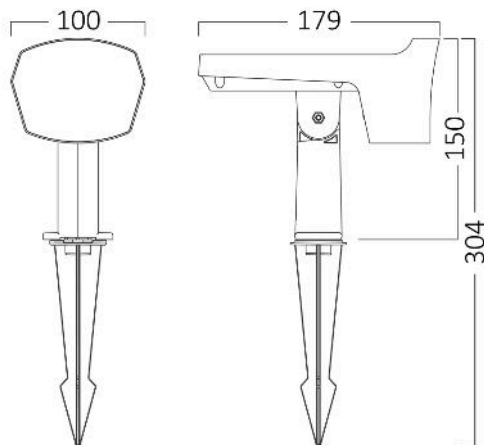
2CCT SWITCH  
3000K 6500K

ON/OFF WORKING TIME

Mode 1	1000-3000m	4-8hours time
Mode 2	1550-2000m	9-16hours time
Mode 3	3075 100m	18-20hours time

Li-Ion Battery  
Charging Time: 8h-12h

**SPIKE**



BRAYTRON SRL

MUNICIPIUL BUCUREȘTI, SECTOR 6, BLD. IULIU MANIU, NR.616, CORP B, ET.1,BUCUREȘTI,Sector 6(RO)  
info@braytron.com  
www.braytron.com

### General Characteristics

Model No	:	BG36-00582
Main Family	:	Solar Lighting
Sub Family	:	Solar Spike Light
Type	:	Solar Spike Light
Body Color	:	Dark Grey
Dimmable	:	Step Dim
Light Source	:	LED
Warranty	:	2 Years
Class	:	CLASS III
IP	:	IP65

### Product Characteristics

Wattage	:	12
Color Temperature	:	2IN1
Quse Lumen	:	300
Color Rendering Index (CRI)	:	≥80
Beam Angle	:	38°

### Electrical Characteristics

Lifetime	:	20000 h
Material	:	PA+PC
Working Temperature	:	-20°C ~ +40°C

### Battery Informations

Battery	:	Li-Ion Battery
---------	---	----------------

### Dimensions & Weight

P. Length	:	179 mm
P. Width	:	100 mm
P. Height	:	304 mm
Weight	:	440 gr

### Solar Informations

Solar Panel	:	5.5V, 1.8w
-------------	---	------------

### Package Informations

N.W.	:	8,8 kgs
G.W.	:	10,9 kgs
PCS/CTN	:	20
Length	:	55 cm
Width	:	38,5 cm
Height	:	21,5 cm
EAN	:	5949097739286

BRAYTRON SRL

MUNICIPIUL BUCUREȘTI, SECTOR 6, BLD. IULIU MANIU, NR.616, CORP B, ET.1,BUCUREȘTI,Sector 6(RO)  
info@braytron.com  
www.braytron.com