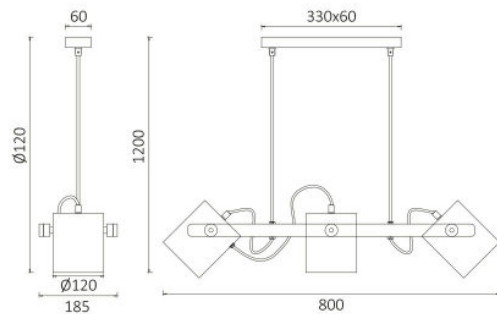


Braytron

PRODUCT DATASHEET

MODEL NO BV02-00011

DESCRIPTION BRY-D001S-3H-3xE27-WDN-PENDANT LIGHT



BRAYTRON SRL

Bulavardul iuliu maniu, Nr.616, Sector 6, 061129, Bucuresti-ROMANIA

info@braytron.com

www.braytron.com

Page 1-2

General Characteristics

Model No	:	BV02-00011
Main Family	:	Decorative CLS
Sub Family	:	Wooden
Type	:	Pendant Light
Body Color	:	Black+Wooden
Lamp Shape	:	N/A
Light Source	:	N/A
Socket	:	3xE27
Warranty	:	2 years
Class	:	Class I
IP	:	IP20

Electrical Characteristics

Voltage	:	220-240V
Material	:	Metal+Wooden
Frequency	:	50-60 Hz

Package Informations

N.W.	:	4,02 kgs
G.W.	:	5,70 kgs
PCS/CTN	:	2 pcs
Length	:	825 mm
Width	:	230 mm
Height	:	355 mm
EAN	:	5949097735431

Product Characteristics

Wattage	:	Max 3x23 w
---------	---	------------

Dimensions & Weight

Weight	:	2010 gr
--------	---	---------