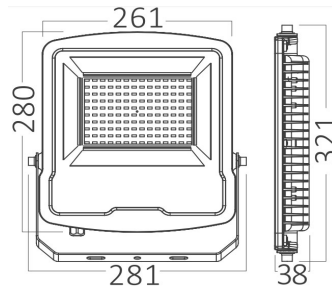


Product Datasheet



Products Family : Led Lighting Fixture
Products Name : LED Floodlight

Datasheet is valid for following Model numbers

Product Code	CCT	Body Color
BT61-09102	3000K	Grey
BT61-09112	4000K	Grey
BT61-09132	6500K	Grey

Manufacturer:
Demgrup international lighting limited
unit d 16/f,one capital place,18 luard road
wan chai, Hong Kong
www.demgrup.com.tr

Importer / Company:
Braytron S.R.L
Bulevardul iuliu maniu,nr.616, corp B
etaj 1 sector 6,061129 bucuresti, Romania
info@braytron.com www.braytron.com

Test condition:light for 30 mins under nominal voltage input and 25°C±1°working environment

General Characteristics

- Family : Led Lighting Fixture
- Sub Family : LED Floodlight
- Mounting Type : Flood
- Lamp Shape : Directional
- Dimmable : Not-Dimmable
- Light Source : LED
- Warranty : 3 years
- Class : Class I
- IP : IP65
- IK : IK06

Lamp Characteristics

- Wattage : 100 w
- Color Temperatue : 3000K/4000K/6500K
- Luminous Flux(whole Product) : 8300 lm
- Luminous Flux(LED System) : 8300 lm
- Color Rendering Index(CRI) : > 80
- Energy Efficiency Level : F
- Beam Angle : 120 Degree(s)
- Chromaticity(SDCM) : < 6

Electrical Characteristics

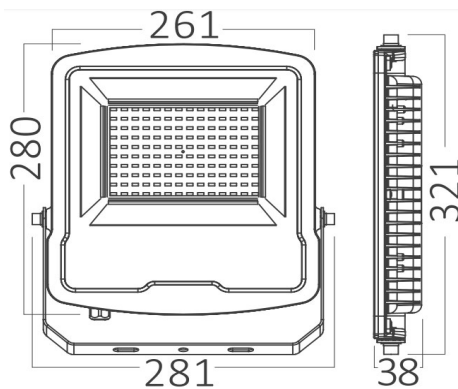
- Lifetime (L70B50) : 20000 h
- Input Voltage : 220-240V
- Frequency : 50-60 Hz
- Power Factor : > 0.9
- Starting Time : < 0.5 s
- Lumen Maintenance Factor : > 0.899
- Number of Switch Cycles : > 15000
- Material : Aluminium
- Working Temperature : -20°C~+45°C
- Storage Temperature : -20°C~+60°C
- Environment humidity(working) : 10%~65%

Test condition: light for 30 mins under nominal voltage input and 25°C±1° working environment

Lamp Dimensions & Weight

- Diameter(mm) :
- Length(mm) : 280
- Width(mm) : 38
- Height(mm) : 320
- Cutout(mm) :
- Weight(kg) : 1,75

Technical Drawing(s)



Reliability requirements and Test Conditions

- **Lumen maintenance**

Lumen maintenance is not lower than 89.9% after lighting for 2.5h on and 0.5h off for one cycle.
Total 1200 cycle and 3600h including 3000h on and 600h off.

- **Working life (L70B50)**

Under nominal voltage input, working life is forced not lower than 20000 h at 25°C±1°C

- **Remarks:**

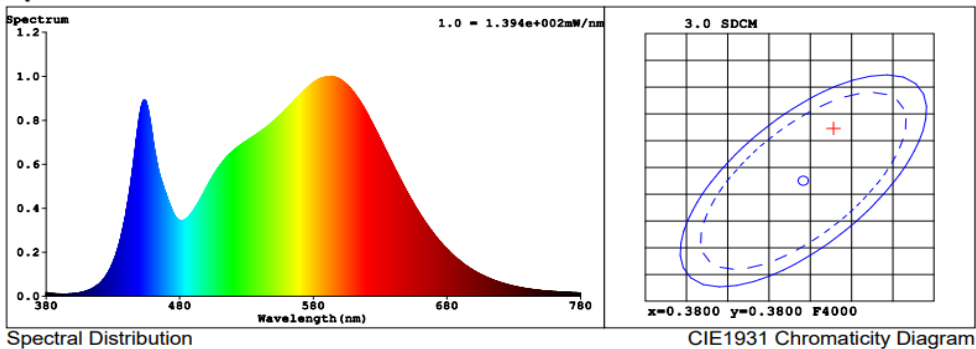
Declared values above may vary ±5



Luminare is intended to use in outdoor applications

Test condition:light for 30 mins under nominal voltage input and 25°C±1°working environment

Optical and electrical test parameter:



Colorimetric Quantities

Chromaticity Coordinate: x = 0.3832 y = 0.3878 / u' = 0.2225 v' = 0.5068 (duv=4.31e-03)
 CCT= 4007K Prcp WL: Ld=577.0nm Purity=31.4%
 Peak WL: Lp=594nm FWHM: =147.2nm Ratio:R=17.8% G=78.4% B=3.8%

Render Index: Ra = 81.8

R1 =79 R2 =89 R3 =96 R4 =79 R5 =79 R6 =85 R7 =85
 R8 =61 R9 =0 R10=75 R11=78 R12=62 R13=82 R14=98 R15=72

Photometric & Radiometric Quantities

Flux = 9398.7 lm Eff. : 93.04 lm/W Fe = 27.974 W
 Flux of emitted photons(umol/s):131.38 Flu. and blue light ratio:4.955 Fluorescent eff.:.226.1
 Photosynthetic:PPF:108.81umol/s PAR WATT:23280mW(400-700nm)

Electrical parameters

V = 230.8 V I = 0.4462 A P = 101.0 W PF = 0.9811

Darkroom Test report

