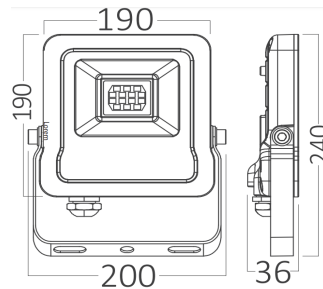


Product Datasheet



Products Family : Led Lighting Fixture
Products Name : LED Floodlight

Datasheet is valid for following Model numbers

Product Code	CCT	Body Color
BT61-05002	3000K	Grey
BT61-05012	4000K	Grey
BT61-05032	6500K	Grey

Manufacturer:
Demgrup international lighting limited
unit d 16/f,one capital place,18 luard road
wan chai, Hong Kong
www.demgrup.com.tr

Importer / Company:
Braytron S.R.L
Bulevardul iuliu maniu,nr.616, corp B
etaj 1 sector 6,061129 bucuresti, Romania
info@braytron.com www.braytron.com

Test condition:light for 30 mins under nominal voltage input and 25°C±1°working environment

General Characteristics

- Family : Led Lighting Fixture
- Sub Family : LED Floodlight
- Mounting Type : Flood
- Lamp Shape : Directional
- Dimmable : Not-Dimmable
- Light Source : LED
- Warranty : 3 years
- Class : Class I
- IP : IP65
- IK : IK06

Lamp Characteristics

- Wattage : 50 w
- Color Temperatue : 3000K/4000K/6500K
- Luminous Flux(whole Product) : 4100 lm
- Luminous Flux(LED System) : 4100 lm
- Color Rendering Index(CRI) : > 70
- Energy Efficiency Level : F
- Beam Angle : 120 Degree(s)
- Chromaticity(SDCM) : < 6

Electrical Characteristics

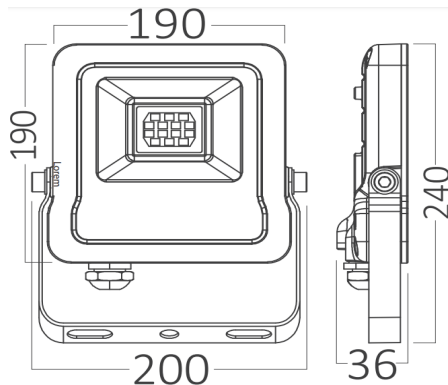
- Lifetime (L70B50) : 20000 h
- Input Voltage : 220-240V
- Frequency : 50-60 Hz
- Power Factor : > 0.9
- Starting Time : < 0.5 s
- Lumen Maintenance Factor : > 0.899
- Number of Switch Cycles : > 15000
- Material : Aluminium
- Working Temperature : -20°C~+45°C
- Storage Temperature : -20°C~+60°C
- Environment humidity(working) : 10%~65%

Test condition:light for 30 mins under nominal voltage input and 25°C±1°working environment

Lamp Dimensions & Weight

- Diameter(mm) : :
- Length(mm) : 200
- Width(mm) : 36
- Height(mm) : 240
- Cutout(mm) : :
- Weight(gr) : 930

Technical Drawing(s)



Reliability requirements and Test Conditions

- **Lumen maintenance**

Lumen maintenance is not lower than 89.9% after lighting for 2.5h on and 0.5h off for one cycle.
Total 1200 cycle and 3600h including 3000h on and 600h off.

- **Working life (L70B50)**

Under nominal voltage input, working life is forced not lower than 20000 h at 25°C±1°C

- **Remarks:**

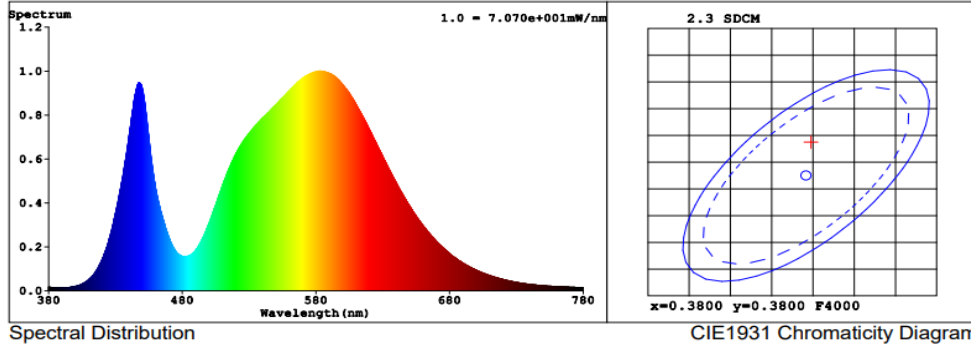
Declared values above may vary ±5



Luminare is intendet to use in outdoor aplications

Test condition: light for 30 mins under nominal voltage input and 25°C±1° working environment

Optical and electrical test parameter:



Colorimetric Quantities

Chromaticity Coordinate: $x = 0.3805$ $y = 0.3850$ / $u' = 0.2219$ $v' = 0.5052$ ($duv=3.79e-03$)
 CCT= 4055K Prcp WL: Ld=576.9nm Purity=29.7%
 Peak WL: Lp=583nm FWHM: =127.9nm Ratio:R=16.3% G=81.3% B=2.5%

Render Index: Ra = 71.6

R1 =68 R2 =78 R3 =87 R4 =71 R5 =68 R6 =70 R7 =81
 R8 =51 R9 =0 R10=48 R11=67 R12=44 R13=69 R14=92 R15=61

Photometric & Radiometric Quantities

Flux = 4559.5 lm Eff. : 87.75 lm/W Fe = 13.038 W
 Flux of emitted photons(umol/s):60.778 Flu. and blue light ratio:4.304 Fluorescent eff.:190.1
 Photosynthetic:PPF:51.546umol/s PAR WATT:11104mW(400-700nm)

Electrical parameters

V = 229.9 V I = 0.2421 A P = 51.96 W PF = 0.9335

Darkroom Test report

