

PLUG IN SWITCH

Product&Family Code:

113

001

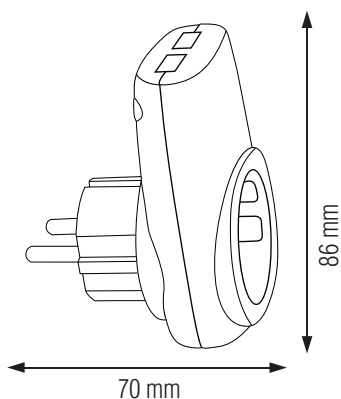
0001

AXIS**2 X USB
CHARGING
SOCKET**

Technical Data

Working Voltage	250V~
Power (W)	Max. 3680
Current (A)	16
Children Protection Shutter	YES
USB O / P	DC 5V Max. 2.1A
Materials	Plastic

Technical Drawing



Applications

- Use for indoors and in dry location. Residential / General-Purpose

Features

- Working signal indicator.
- Easy to use
- One Outlet + 2xUSB

