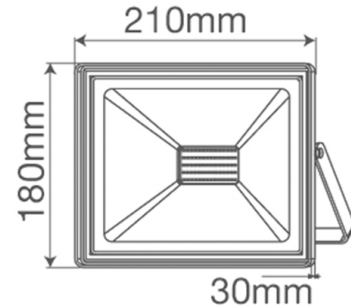
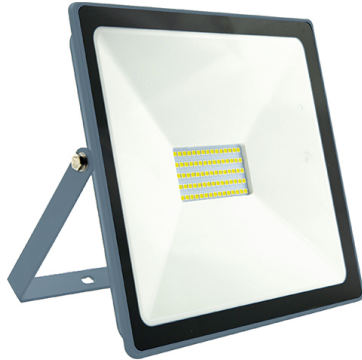


TECHNICAL DATASHEET

INDUS 50W SMD IP65

12-03-2021



VT/INDUS/50W/SMD/6000K/IP65/220V/LED FLOODLIGHT

NOTES

General Informations

Stock Code	3021660
HSC/GTIP Code	9405.40.10.00.00
EAN-13 (Inbox Barcode)	6970233835189
ITF-14 (Outbox Barcode)	36970233835180

Electrical Characteristics

Current Type	AC
Operation Voltage	220-240 Volt
Operation Frequency	50/60 Hertz
Electrical Current	0,24 Amper
Power	50 Watt
Power Factor	>0.9
Luminous Efficiency	100 lumen/Watt
Energy Savings	0,8
Dimmable	No
Electrical Protection Class	Class I

Electrical Component Specifications

Component Fitting Type	Internal Driver
Driver Input Voltage	220-240 Volt
Driver Input Current	0,24 Amper

Lighting Characteristics

Luminous Flux	5000 lumen
Time for 60% of Lumen	<0.5 seconds
Light Beam Angle	120°
Flicker	No
LED Type	SMD
LED Type	SMD 2835

Mechanical Parameters

IP Protection Class	IP65
Switch On/Off Cycle	15000
Lifetime	25000 hours
Body Material	Glass & Aluminum
Body Colour	Black
Body Colour	Dark Grey
Diffuser Material	Tempered Glass
Product Height	180 millimeter
Product Height	155 millimeter
Product Width	210 millimeter
Product Width	175 millimeter
Product Depth	30 millimeter
Product Depth	36 millimeter
Ambient Temperature (Ta)	-20°C<Ta<50°C

Logistic Informations

Inbox Length	215 millimeter
Inbox Width	50 millimeter
Inbox Height	185 millimeter
Outbox Length	450 millimeter
Outbox Length	380 millimeter
Outbox Width	320 millimeter
Outbox Width	265 millimeter
Outbox Height	215 millimeter
Outbox Height	330 millimeter
Outbox Volume	0,03096 m ³
Outbox Volume	0,03323 m ³
Outbox Quantity	12 pieces
Outbox Quantity	20 pieces
Unit Net Weight	0,833 kilogram
Unit Net Weight	0,61 kilogram
Outbox Net Weight	10 kilogram
Outbox Net Weight	12,2 kilogram
Outbox Gross Weight	11,25 kilogram
Outbox Gross Weight	13,2 kilogram

IMPORTANT NOTES: VITO reserves the right to change/remove models or specifications partially/completely without any notice. Information, models and photographs of the products in this technical datasheet can not be used, reproduced or republished without permission. However, some parts can be quoted by giving reference and/or chapter number belonging to technical datasheet. Most of the items in the datasheet have been designed by our company within indicated technical specifications inside. Our company is not responsible for errors caused by wrong installation and operating against rules according to qualifications specified in the product details. Photographs printed in this datasheet may not reflect the actual color of the product depending on printing conditions. In the same context, typographical errors may possibly be found in the texts.