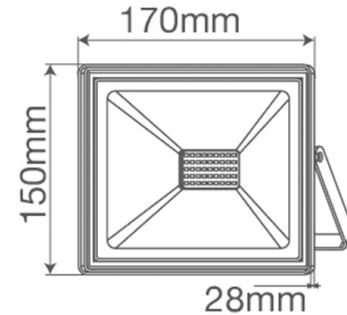
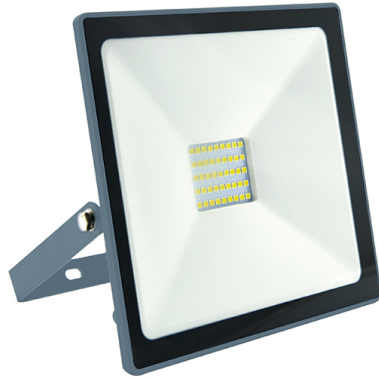


TECHNICAL DATASHEET

INDUS 30W SMD IP65

12-03-2021



VT/INDUS/30W/SMD/6000K/IP65/220V/LED FLOODLIGHT

NOTES

General Informations

Stock Code	3021630
HSC/GTIP Code	9405.40.10.00.00
EAN-13 (Inbox Barcode)	6970233835172
ITF-14 (Outbox Barcode)	36970233835173

Electrical Characteristics

Current Type	AC
Operation Voltage	220-240 Volt
Operation Frequency	50/60 Hertz
Electrical Current	0,145 Amper
Power	30 Watt
Power Factor	>0.9
Luminous Efficiency	100 lumen/Watt
Energy Savings	0,82
Dimmable	No
Electrical Protection Class	Class I

Electrical Component Specifications

Component Fitting Type	Internal Driver
Driver Input Voltage	220-240 Volt
Driver Input Current	0,145 Amper

Lighting Characteristics

Luminous Flux	3000 lumen
Time for 60% of Lumen	<0.5 seconds
Light Beam Angle	120°
Flicker	No
LED Type	SMD
LED Type	SMD 2835

Mechanical Parameters

IP Protection Class	IP65
Switch On/Off Cycle	15000
Lifetime	25000 hours
Body Material	Glass & Aluminum
Body Colour	Black
Body Colour	Dark Grey
Diffuser Material	Tempered Glass
Product Height	150 millimeter
Product Height	125 millimeter
Product Width	170 millimeter
Product Width	145 millimeter
Product Depth	28 millimeter
Product Depth	36 millimeter
Ambient Temperature (Ta)	-20°C<Ta<50°C

Logistic Informations

Inbox Length	195 millimeter
Inbox Width	45 millimeter
Inbox Height	155 millimeter
Outbox Length	410 millimeter
Outbox Length	325 millimeter
Outbox Width	300 millimeter
Outbox Width	315 millimeter
Outbox Height	345 millimeter
Outbox Height	275 millimeter
Outbox Volume	0,04244 m ³
Outbox Volume	0,02815 m ³
Outbox Quantity	24 pieces
Unit Net Weight	0,56 kilogram
Unit Net Weight	0,396 kilogram
Outbox Net Weight	13,44 kilogram
Outbox Net Weight	9,5 kilogram
Outbox Gross Weight	15,25 kilogram
Outbox Gross Weight	10,5 kilogram

IMPORTANT NOTES: VITO reserves the right to change/remove models or specifications partially/completely without any notice. Information, models and photographs of the products in this technical datasheet can not be used, reproduced or republished without permission. However, some parts can be quoted by giving reference and/or chapter number belonging to technical datasheet. Most of the items in the datasheet have been designed by our company within indicated technical specifications inside. Our company is not responsible for errors caused by wrong installation and operating against rules according to qualifications specified in the product details. Photographs printed in this datasheet may not reflect the actual color of the product depending on printing conditions. In the same context, typographical errors may possibly be found in the texts.